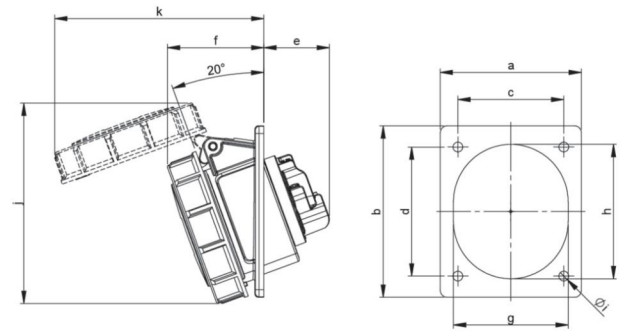


article#	<b>4242-3f78v</b>
article description	<b>CEE-flanged socket sloping (80x97mm) 32A 4p 3h IP67</b>
description long	CEE-flanged socket sloping (80x97mm) 32A4p3h IP67 housing material: PA6 rated current: 32A number of poles: 4 (3P+PE) clock-position: 3h rated voltage/frequency: 380/440V~ / 50/60Hz contacts: brass nickel plated connection technology: screw terminals dimensions (flange/fixing center): 80x97 mm / 60x73 mm IP protection class: IP67
GTIN (EAN)	9003399760938
country of origin	AT
customs number	85366990
net weight	0.224 kg
packaging quantity	10
minimum order quantity	10

ETIM 9.0	EC001317
IEC-amperage	32 A
Voltage according to EN 60309-2	400-440 V (50+60 Hz) red
Number of poles	4
Clock hour position	3 h
Identification colour	Red
Degree of protection (IP)	IP67
Connection system	Screwed terminal
Angle of plug	Angled
Material	Plastic
Contact material	CuZn
Surface treatment contacts	Nickel-plated
Flange size vertical	97 mm
Drill hole distance vertical	73 mm
Flange size horizontal	80 mm
Drill hole distance horizontal	60 mm

a	80 mm
b	97 mm
c	60 mm
d	73 mm
e	48 mm
f	59 mm
g	65 mm
h	75 mm
i	5,5 mm
j	120 mm
k	127 mm
wire flexible	2,5-6 mm <sup>2</sup>
wire solid	2,5-10 mm <sup>2</sup>
contact screws	110 Ncm
dismantling length	50 mm
stripping length	12-14 mm
ambient temperature	-25 – 40 °C
temperature resistance	-25 – 80 °C



<https://www.pcelectric.at/shop/en/?func=detail&artnr=4242-3f78v>

