



syntax
no compromise

SSX

**19 PIN
LIGHTING
CONNECTOR
SERIES**

SSX 19 PIN LIGHTING SERIES



The **SYNTAX® SSX** series, designed for professional lighting applications and perfectly compatible with standard 19 pin Socapex (419 series), is extremely robust being of a machined aluminium alloy, thick wall construction with a hard black anodized finish or black painted finish. The insert for contacts stack is neoprene rubber, thereby allowing removable contacts in crimp or solder version. The unit is completely watertight to IP67 when mated. Electrical safety and compliance is guaranteed through shells which are internally insulated, to prevent electric shock and “first make last break” ground contacts. Grounding rings allow bussing of the ground contacts. Locking ring and backshell design for easy handling.

- Ingress protection: IP67-IEC 529 norms
- Salt atmosphere resistance: 96 h IEC 68-21-11
- Operating temperature: -55°C to +125°C
- Shell material: aluminium alloy, machined
- Available: anodized finish or black painted finish
- Insert neoprene rubber
- Cable gland retention: Metric M 40
- Spider cable gland retention: Metric M 50

CONTACTS

The male and female are machined by high conductive copper alloy and are gold or silver plated finish.



CRIMP

Voltage rating AC	Voltage rating DC	Max current	Rated current	Potential drop	Dielectric Strength	
					Test voltage	Min. Flashover
700 V	500 V	41 Amps	23 Amps	63 mV	2000 Vac RMS	2800 Vac RMS



GOLD Male



SILVER Male



GOLD Female



SILVER Female

SOLDER

Voltage rating AC	Voltage rating DC	Max current	Rated current	Potential drop	Dielectric Strength	
					Test voltage	Min. Flashover
700 V	500 V	41 Amps	23 Amps	63 mV	2000 Vac RMS	2800 Vac RMS



GOLD Male



SILVER Male



GOLD Female



SILVER Female

GROUND CONNECTION



Ground first connection

In compliance to electrical safety the 7 central pins are moved forward and allows “first make last break” ground contact.



Common ground (OPTIONAL) Part N.: SSXCMGR

Two disks are easily fitted to the central ring of six contacts, thereby creating a common ground ring.



**Shell grounding
SPECIAL VERSION upon request**
Body shell grounding contact guarantee full safety.

SSX 19 PIN LIGHTING SERIES

SSX19MV



Inline male

SSX19FV



Inline female

SSX19MP



Panel male

SSX19FP



Panel female



METRIC CABLE GLANDS FOR SSX SERIES

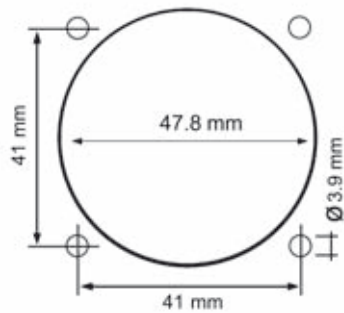
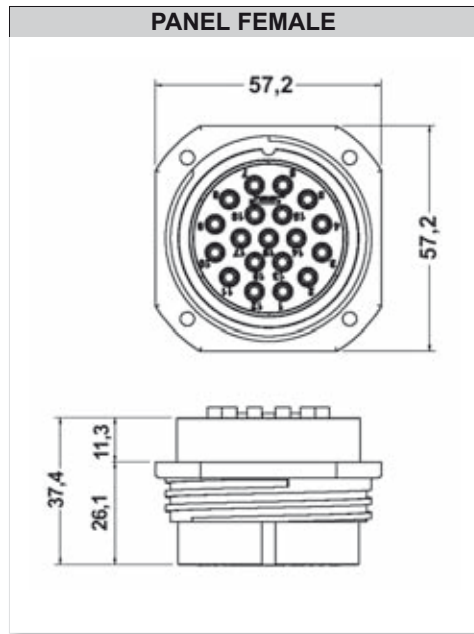


1 CONNECTOR AND 3 CABLE GLANDS OPTIONS ON THE SAME BACKSHELL

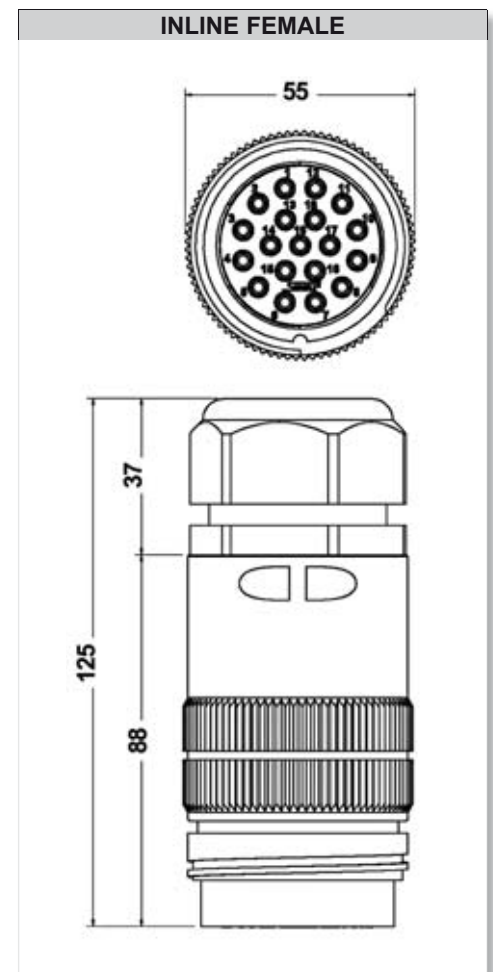
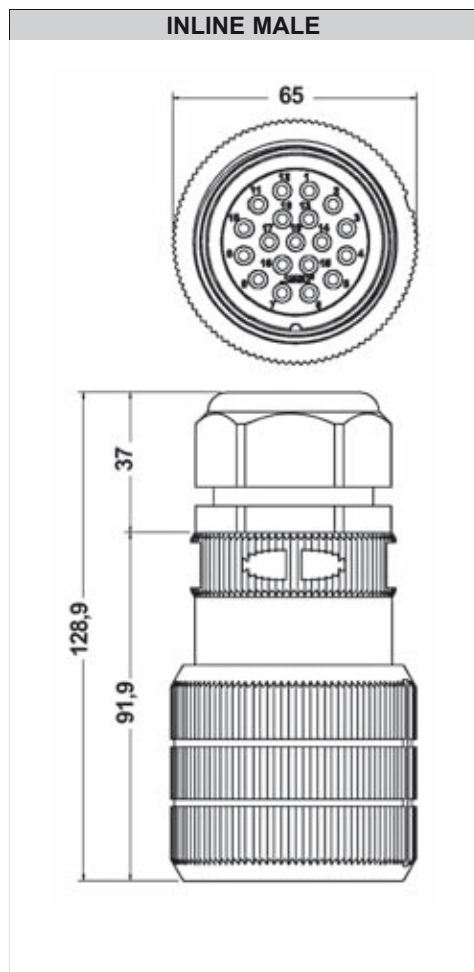
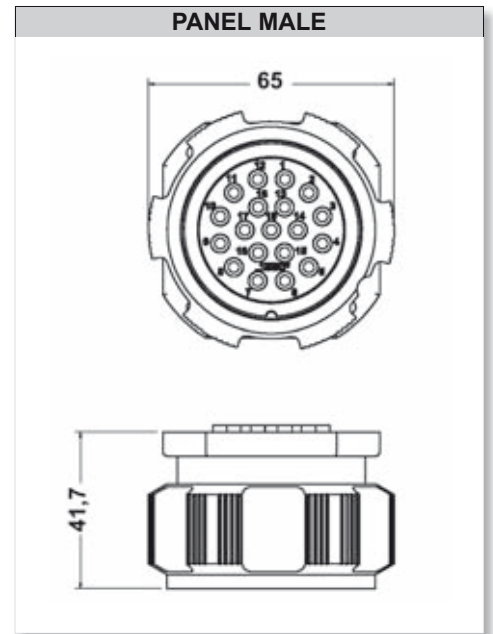
Thread Size	Model type	Clamping Range (mm)
M 40 x 1.5	Reduced	15 - 23
M 40 x 1.5	Normal	19 - 28
M 40 x 1.5	Oversize	22 - 32

SSX 19 PIN LIGHTING SERIES

OVERALL SIZE



PANEL CUT-OUT DIMENSIONS



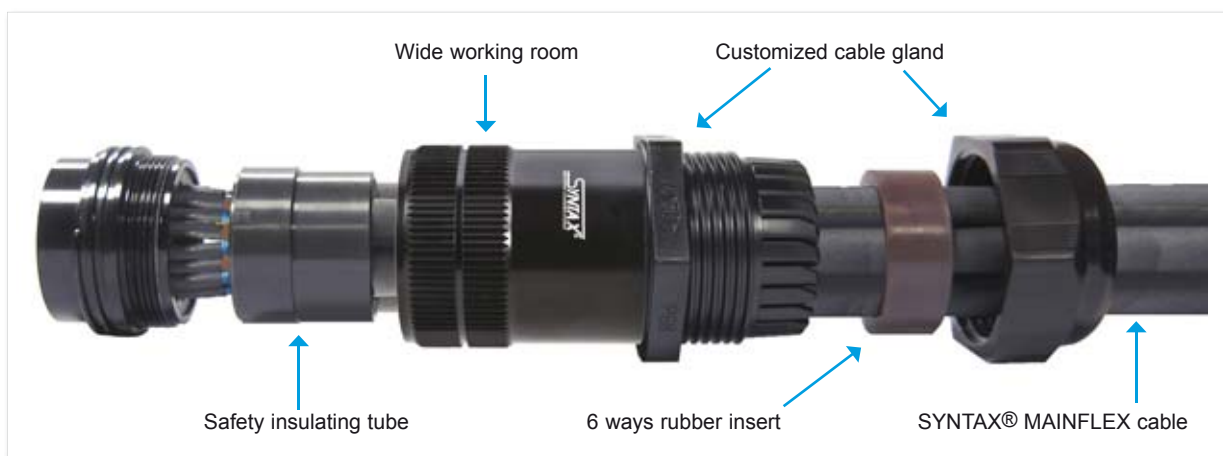
SSX 19 PIN - SPIDER



SYNTAX® SSX SPIDER 19 pin connector is an alternative version of the SSX 19 pin standard, studied to get simple managing of the break-ins and break-outs operations.

The special 6 ways rubber insert, fitted in the cable gland terminal, offers the opportunity to get an optimal cables retention and a perfect watertight seal IP67 necessary for the outdoor use.

Supplied with 6 leads **SYNTAX® MAINFLEX** cable, becomes the best solution to meet the right specifications about handling and IP67 waterproof.



SSX 19 PIN LIGHTING CABLES

SP19M6FBL-010 (1 mt) - 015 (1,5 mt) - 020 (2 mt)



SPIDER SPLITTER

Assembled list:

- n.1 P/N : SSX19MVYGCMS - (Syntax SSX19 male)
- n.6 P/N : Y213-6X - (CEE17 16A 230V 3P female)
- mt P/N : 7ZF0325 - Syntax Cable 3 x 2.5 mm²

SP6M19FBL-010 (1 mt) - 015 (1,5 mt) - 020 (2 mt)



SPIDER SPLITTER

Assembled list:

- n.1 P/N : SSX19FV-GCMS - (Syntax SSX19 female)
- n.6 P/N : Y013-6X - (CEE17 16A 230V 3P male)
- mt P/N : 7ZF0325 - Syntax Cable 3 x 2.5 mm²

EC19P25-L...



Assembled list:

- 1 x P/N SSX19MVYGCP5N - (Syntax SSX19 male)
- 1 x P/N SSX19FV-GCMS - (Syntax SSX19 female)
- mt P/N 7ZF1925 - Syntax Cable 19x2.5 mm²

EC19P25-L10 10 mt cable lenght
EC19P25-L20 20 mt cable lenght
EC19P25-L... cable lenght upon request

PART NUMBER EXPLANATION

Part N.																				
---------	--	--	--	--	--	--	--	--	--	--	--	--	--	--	--	--	--	--	--	--

EXAMPLE Part N.	SSX	19	F	V	D	G	S	MP	N	T	1
-----------------	-----	----	---	---	---	---	---	----	---	---	---

↑ ↑ ↑ ↑ ↑ ↑ ↑ ↑ ↑ ↑ ↑ ↑

CONNECTOR SERIES	
SSX = 19 pin standard series	SSX

CONTACTS NUMBER	
19	19

CONTACT TYPE	
M = male	M
F = female	F

CONNECTOR TYPE	
V = inline	V
P = panel	P

COUPLING TERMINATION	
- = with thread	-
D = ergonomic oversized locking ring with stronger roller pins	D
R = rubber coated locking ring	R

CONTACT PLATING TYPE	
G = gold	G
S = silver	S
N = no contact	N

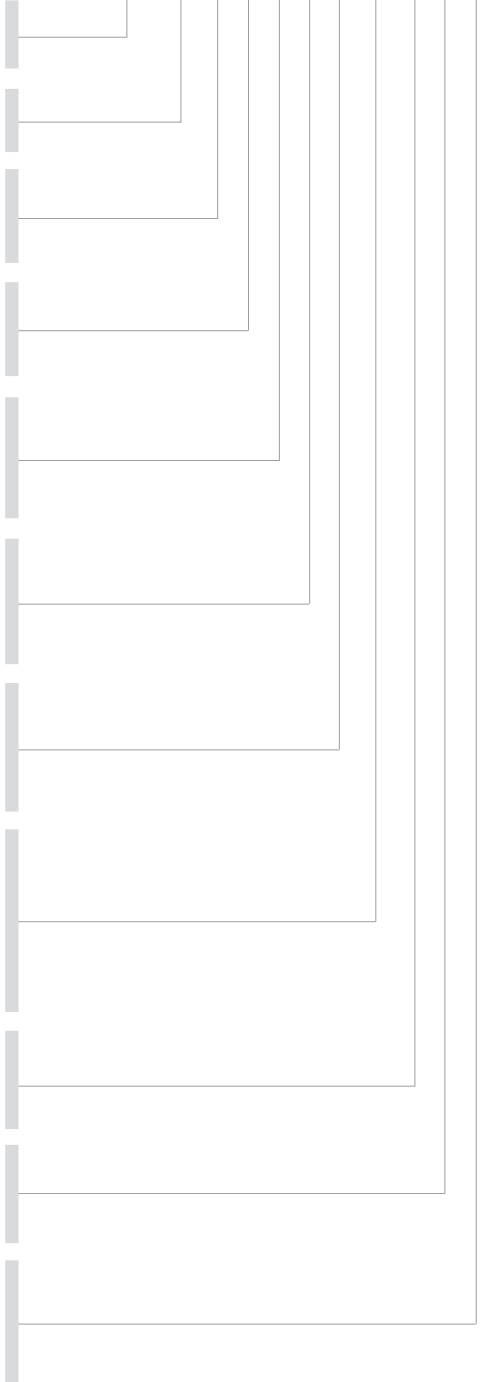
CONTACT TERMINATION	
C = crimp	C
S = solder	S
N = no contact	N

CABLE CLAMP RANGE - METRIC		
Thread Size	Clamping Range (mm)	
M 40 x 1.5	15 - 23	MQ
M 40 x 1.5	19 - 28	MP
M 40 x 1.5	22 - 32	MR
SPIDER: Grommet M 50 - 6 hole Ø 9 to 11,7 mm		MS

CABLE CLAMP TYPE	
N = normal	N
R = strain relief	R

SPECIAL VERSION (upon request)	
For example: T = inserted solder termination contacts	T
U = shell grounding	U

EXTERNAL FINISH	
_ = black painted	_
1 = black anodized	1
Special versions upon request	



VALENTINI

www.syntaxnet.it
info@syntaxnet.it
Tel. +39 0119594160
Fax +39 0119594166
via Asti 84/A
10098 Rivoli
(TO) - ITALY

SYNTAX[®]
is a VALENTINI Trade Mark

