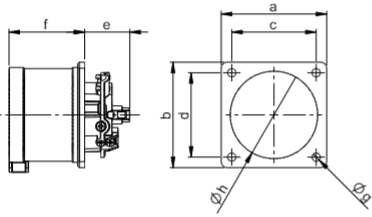


Plugs and sockets 7-poles

Flanged plug straight IP44/54



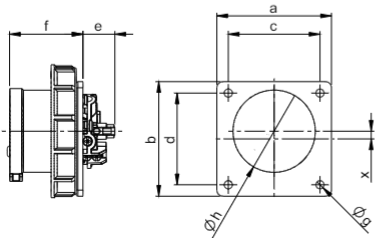
Poles	16 Amp		32 Amp	
	7	7	7	7
a [mm]	70	75	70	75
b [mm]	70	75	70	75
c [mm]	56	60	56	60
d [mm]	56	60	56	60
e [mm]	28	28	30	30
f [mm]	42	42	51	51
Ø g [mm]	5,5	5,5	5,5	5,5
Ø h [mm]	55	55	55	55
Wire flexible [mm ²]	1-2,5		2,5-6	
Wire solid [mm ²]	1-4		2,5-10	
Contact screws [Ncm]	100		110	
Weight [g]	147	152	216	221

- with screw terminals
- housing material: PA6
- contacts: nickel-plated

• According to EN 60309:
For correct use a locking device has to be provided (see page 10)

IP44/54 dust- and splashproof

Flanged plug straight IP66/67



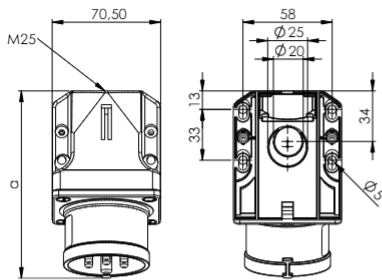
Poles	16 Amp		32 Amp	
	7	7	7	7
a [mm]	75	75	75	75
b [mm]	75	75	75	75
c [mm]	60	60	60	60
d [mm]	60	60	60	60
e [mm]	28	30	30	30
f [mm]	48	58	58	58
Ø g [mm]	5,5	5,5	5,5	5,5
Ø h [mm]	55	55	55	55
x [mm]	5,05	0	0	0
Wire flexible [mm ²]	1-2,5		2,5-6	
Wire solid [mm ²]	1-4		2,5-10	
Contact screws [Ncm]	100		110	
Weight [g]	180	180	265	265

- with screw terminals
- housing material: PA6
- contacts: nickel-plated

• According to EN 60309:
For correct use a locking device has to be provided (see page 10)
• for 16A 7p the plug is placed off centered for keeping the standards

IP66/67 watertight

Wall mounted plug IP44/54



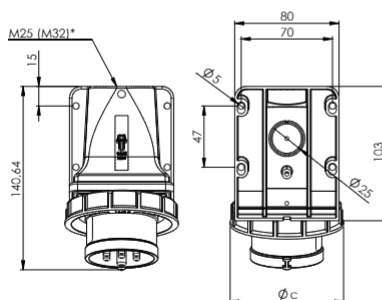
Poles	16 Amp		32 Amp	
	7	7	7	7
a [mm]	122	132	132	132
Height [mm]	79	85	85	85
M [mm]	25	25	25	25
Wire flexible [mm ²]	1-2,5		2,5-6	
Wire solid [mm ²]	1-4		2,5-10	
Contact screws [Ncm]	100		110	
Weight [g]	235	235	304	304

- with screw terminals
- housing material: PA6
- contacts: nickel-plated
- top and rear entry
- incl. threaded cable grommet
- 9517*, 9527* large housing for wiring through

IP44/54 splashproof

angle = 15°

Wall mounted plug IP66/67



Poles	16 Amp		32 Amp	
	7	7	7	7
a [mm]	140	152	152	152
Height [mm]	100	102	102	102
c [mm]	87	100	100	100
M* [mm]	25	25	25	25
Wire flexible [mm ²]	1-2,5		2,5-6	
Wire solid [mm ²]	1-4		2,5-10	
Contact screws [Ncm]	100		110	
Weight [g]	271	271	356	356

- with screw terminals
- housing material: PA6
- contacts: nickel-plated
- top and rear entry
- incl. threaded bung

IP66/67 watertight

angle = 15°

*M32 optional on request

Amp.	Poles	pack. unit	110V~	230V~	400V~	500V~
			50/60Hz	50/60Hz	50/60Hz	50/60Hz
			4h	9h	6h	7h
			Cat.No.	Cat.No.	Cat.No.	Cat.No.

Flange 70 x 70 - Fixing center: 56 x 56						
16	7	10	617-4v	617-9v	617-6v	617-7v
32	7	10	627-4v	627-9v	627-6v	627-7v
Flange 75 x 75 - Fixing center: 60 x 60						
16	7	10	617-4f7v	617-9f7v	617-6f7v	617-7f7v
32	7	10	627-4f7v	627-9f7v	627-6f7v	627-7f7v



627-6v

Flange 75 x 75 - Fixing center: 60 x 60						
16	7	10	6172-4v	6172-9v	6172-6v	6172-7v
32	7	10	6272-4v	6272-9v	6272-6v	6272-7v



6272-6v

16	7	10	517-4v	517-9v	517-6v	517-7v
32	7	10	527-4v	527-9v	527-6v	527-7v
for wiring through (M25 top, 2xM25 bottom)						
16	7	5	9517-4v	9517-9v	9517-6v	9517-7v
32	7	5	9527-4v	9527-9v	9527-6v	9527-7v



9527-6v

16	7	5	5172-4kv	5172-9kv	5172-6kv	5172-7kv
32	7	5	5272-4kv	5272-9kv	5272-6kv	5272-7kv



5272-6kv

