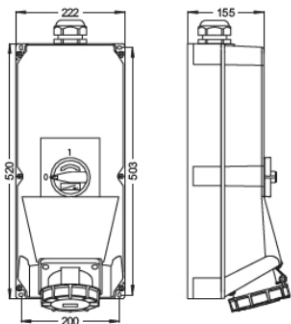


Switched interlocked sockets – for wall mounting

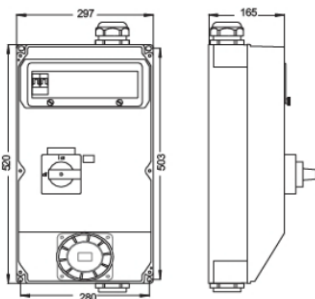
mechanical or electric interlock, lockable by padlock



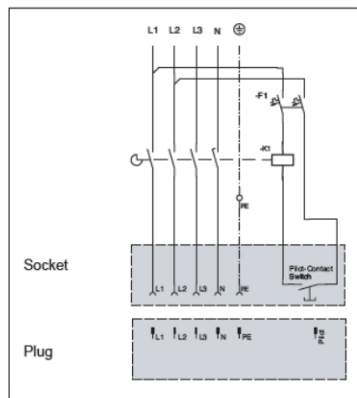
Switched interlocked socket – mechanical interlock 125A

- WxHxD = 520x222x155mm
- with screw terminals
- housing material: PC/ABS
- contacts: brass with lamellar contact CuBe
- mechanical interlock
- top entry
- compact design

IP67 watertight

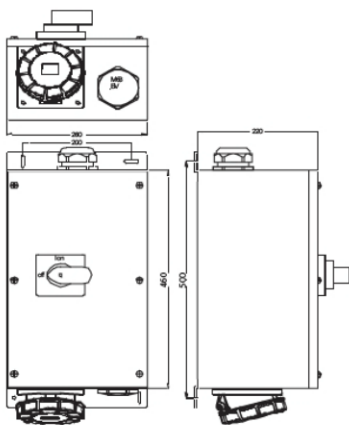


Switched interlocked socket – electric interlock 125A

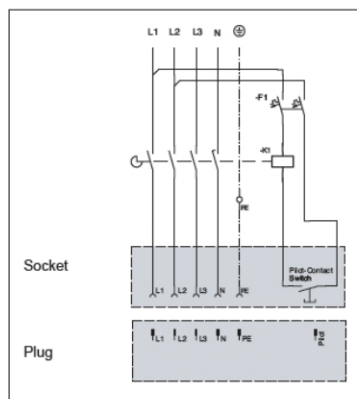


- WxHxD = 520x297x165mm
- material PC/ABS
- compact design
- controlled by circuit breaker 125A 4p with integrated low voltage circuit breaker 400V by PCS-system (see page 10)
- top or bottom entry (M63)
- control circuit protected with circuit breaker 10A 2p
- thermic release adjustable from 0,7 to 1 In
- manual resetting after voltage breakdown of the entry (trip position)

IP54 splash- and dustproof
IP66 on request



Switched interlocked socket – electric interlock 125A



- WxHxD = 460x260x220mm
- metal housing (RAL 7035), protection degree IP66
- controlled by circuit breaker 125A 4p with integrated low voltage circuit breaker 400V by PCS-system (see page 10)
- optional with integrated RCD protection device
- wall mounting devices outside
- top or bottom entry (M63)
- control circuit protected with circuit breaker 10A 2p
- thermic release adjustable from 0,7 to 1 In
- manual resetting after voltage breakdown of the entry (trip position)

IP66 watertight

Circuit diagram

Technical data 125A:

- 125A 3-, 4- and 5 poles
- terminals max. 70/50mm²
- cable gland M50 (cable diameter 32-38mm)
- degree of protection IP66 or 67

110V~

50/60Hz
4h

230V~

50/60Hz
3p=6h
4p+5p=9h

400V~

50/60Hz
3p=9h
4p+5p=6h

500V~

50/60Hz
7h

Amp.	Poles	pack. unit	Cat.No.	Cat.No.	Cat.No.	Cat.No.
125	3	1	9755090	9755102	9755091	9755101
125	4	1	9755095	9755096	9755099	9755098
125	5	1	9755104	9755105	9755100	9755103

Special designs available on request



125	5	1			9029100	
-----	---	---	--	--	---------	--



125	5	1			9754100	
-----	---	---	--	--	---------	--



- circuit breaker PCE Merz ML3
 - category AC22A, 690V (AC3, 690V, 3-, 45kW)
 - rated conditional short-circuit-current 10kA
 - mechanical life of 30.000 cycles
- approved acc. to EN60309, ÖVE