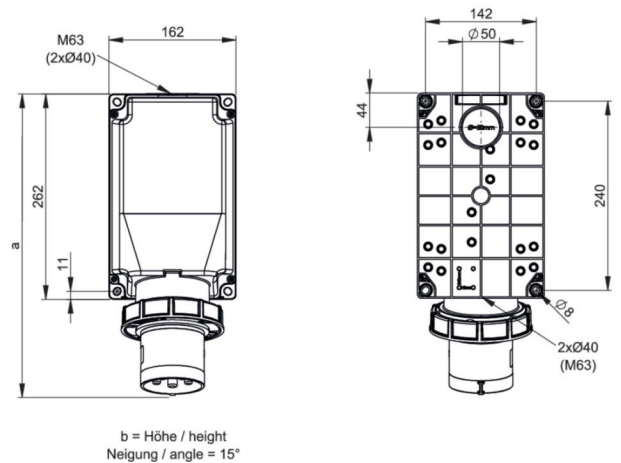


| | |
|------------------------|---|
| article# | 543-6 |
| article description | CEE-wall mounted plug 125A 3p 6h IP67 POWER TWIST |
| description long | CEE-wall mounted plug 125A 3p 6h IP67 POWER TWIST housing material: PC/ABS rated current: 125A number of poles: 3 (2P+PE) clock-position: 6h rated voltage/frequency: 200-250V~ / 50+60Hz contacts: brass nickel plated, with pilot pin connection technology: frame terminals with screws IP protection class: IP66/IP67 |
| GTIN (EAN) | 9003399068133 |
| country of origin | AT |
| customs number | 85366990 |
| net weight | 1.620 kg |
| packaging quantity | 1 |
| minimum order quantity | 1 |

| | |
|---------------------------------|-----------------------------|
| ETIM 9.0 | EC001319 |
| IEC-amperage | 125 A |
| Voltage according to EN 60309-2 | 230 V (50+60 Hz) blue |
| Number of poles | 3 |
| Clock hour position | 6 h |
| Identification colour | Blue |
| Degree of protection (IP) | IP67 |
| Connection system | Screwed terminal |
| Construction type | Surface mounted device plug |
| Angle of plug | Angled |
| Material | Plastic |
| Contact material | CuZn |
| Surface treatment contacts | Nickel-plated |

| | |
|------------------------|-----------------------|
| a | 387 mm |
| b | 209 mm |
| wire flexible | 16-50 mm ² |
| wire solid | 16-70 mm ² |
| contact screws | 450 Ncm |
| housing screws | 200 Ncm |
| connecting screws | 200 Ncm |
| dismantling length | 100 mm |
| stripping length | 24-27 mm |
| ambient temperature | -25 – 40 °C |
| temperature resistance | -25 – 80 °C |



<https://www.pcelectric.at/shop/en/?func=detail&artnr=543-6>

