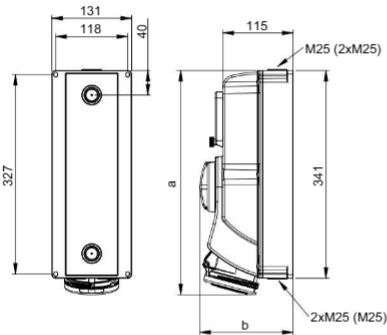


Switched interlocked sockets – with DIN-rail

mechanical interlock, lockable by padlock



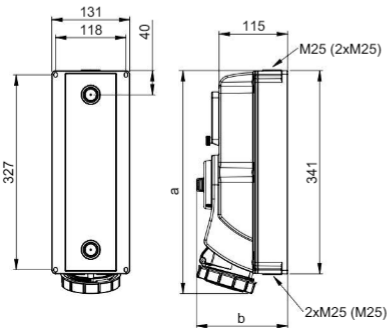
Switched interlocked socket – wall mounting IP44

Poles	16 Amp			32 Amp		
	3	4	5	3	4	5
a [mm]	359	359	359	369	369	369
b [mm]	153	153	153	153	153	153
M* [mm]	3x25	3x25	3x25	3x25	3x25	3x25
Wire flexible [mm ²]	1,5-2,5			2,5-6		
Wire solid [mm ²]	1,5-4			2,5-10		
Weight [g]	1454	1459	1505	1510	1523	1570

* Option: M32 or closed

- with screw terminals
- housing material: PC/ABS
- contacts: nickel-plated contacts
- mechanical interlock
- top, bottom or rear entry
- incl. threaded bung
- with DIN-rail and hinged window for 5 modules

IP44/54 splashproof



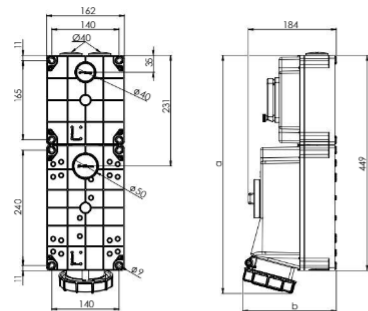
Switched interlocked socket – wall mounting IP67

Poles	16 Amp			32 Amp		
	3	4	5	3	4	5
a [mm]	361	361	363	371	371	372
b [mm]	153	153	153	153	153	153
M* [mm]	3x25	3x25	3x25	3x25	3x25	3x25
Wire flexible [mm ²]	1,5-2,5			2,5-6		
Wire solid [mm ²]	1,5-4			2,5-10		
Weight [g]	1489	1494	1540	1545	1557	1605

* Option: M32 or closed

- with screw terminals
- housing material: PC/ABS
- contacts: nickel-plated contacts
- mechanical interlock
- top, bottom or rear entry
- incl. threaded bung
- with DIN-rail and hinged window for 5 modules

IP66/67 watertight



Switched interlocked socket – wall mounting IP67 POWER TWIST

Poles	63 Amp		
	3	4	5
a [mm]	496	496	496
b [mm]	195	195	195
Wire flexible [mm ²]	6-16		
Wire solid [mm ²]	6-16		
Weight [g]	2900	2975	3050

- contact frame with screws
- housing material: PC/ABS
- contacts: brass with lamellar contact CuBe
- mechanical interlock
- top, bottom or rear entry
- incl. threaded bung
- with DIN-rail and hinged window for 6 modules

IP66/67 watertight

■ ■ ■ Technical data to 16A and 32A version:

- like Series 75 ... but:
- large version with spring-loaded window for 5 modules
- integrated DIN-rail EN 50022 for standard fuses, e.g. MCBs, RCDs, etc. with cap-dimensions: 45 mm
- ready wired for connection up to DIN-rail

Amp.	Poles	pack. unit	110V~	230V~	400V~	500V~	440V~
			50/60Hz 4h	50/60Hz 3p=6h 4p+5p=9h	50/60Hz 3p=9h 4p+5p=6h	50/60Hz 7h	60Hz 3h
			Cat.No.	Cat.No.	Cat.No.	Cat.No.	Cat.No.
16	3	1	7613-4	7613-6	7613-9	7613-7	
16	4	1	7614-4	7614-9	7614-6	7614-7	
16	5	1	7615-4	7615-9	7615-6	7615-7	
32	3	1	7623-4	7623-6	7623-9	7623-7	
32	4	1	7624-4	7624-9	7624-6	7624-7	
32	5	1	7625-4	7625-9	7625-6	7625-7	



7625-6

16	3	1	76132-4	76132-6	76132-9	76132-7	
16	4	1	76142-4	76142-9	76142-6	76142-7	
16	5	1	76152-4	76152-9	76152-6	76152-7	
32	3	1	76232-4	76232-6	76232-9	76232-7	
32	4	1	76242-4	76242-9	76242-6	76242-7	76242-3
32	5	1	76252-4	76252-9	76252-6	76252-7	



76252-6

63	3	1	76332-4	76332-6	76332-9	76332-7
63	4	1	76342-4	76342-9	76342-6	76342-7
63	5	1	76352-4	76352-9	76352-6	76352-7



76352-6

■ ■ ■ Technical data to 63A version:

- like Series 75 ... but:
- window with 6 modules
- integrated DIN-rail EN 50022 for standard fuses, e.g. MCBs, RCDs, etc. with cap-diameters: 45mm
- ready wired for connection up to DIN-rail

Information icons: i, smiley, plug, PD, lightbulb, game controller, lightbulb, game controller, #