



# SUMMARY



## EVO

### A UNIQUE PRODUCT.

Once again, **MARECHAL ELECTRIC** is at the heart of innovation with the invention of the first separable switch-disconnector.

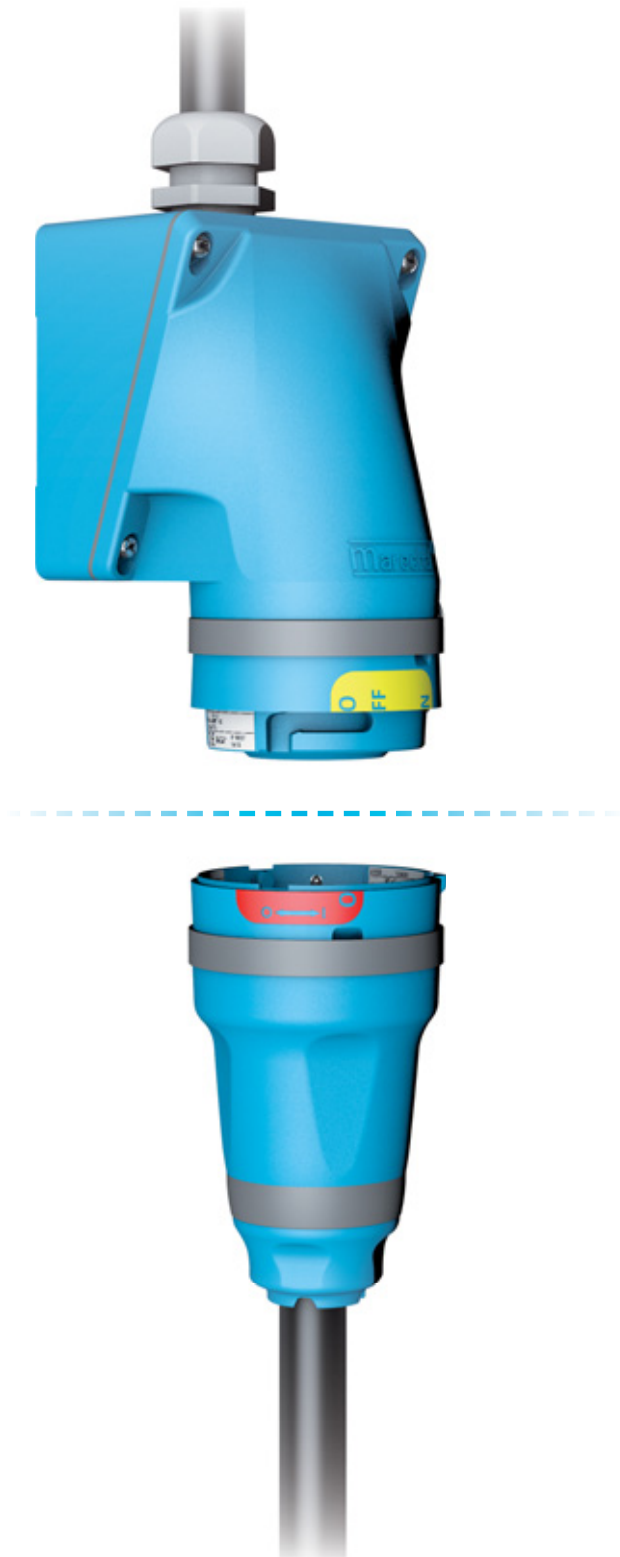
For even more safety, **EVO** facilitates the compliance of your machines and equipments.

Discover "**EVO**", our new ergonomic and modern invention, created for you.



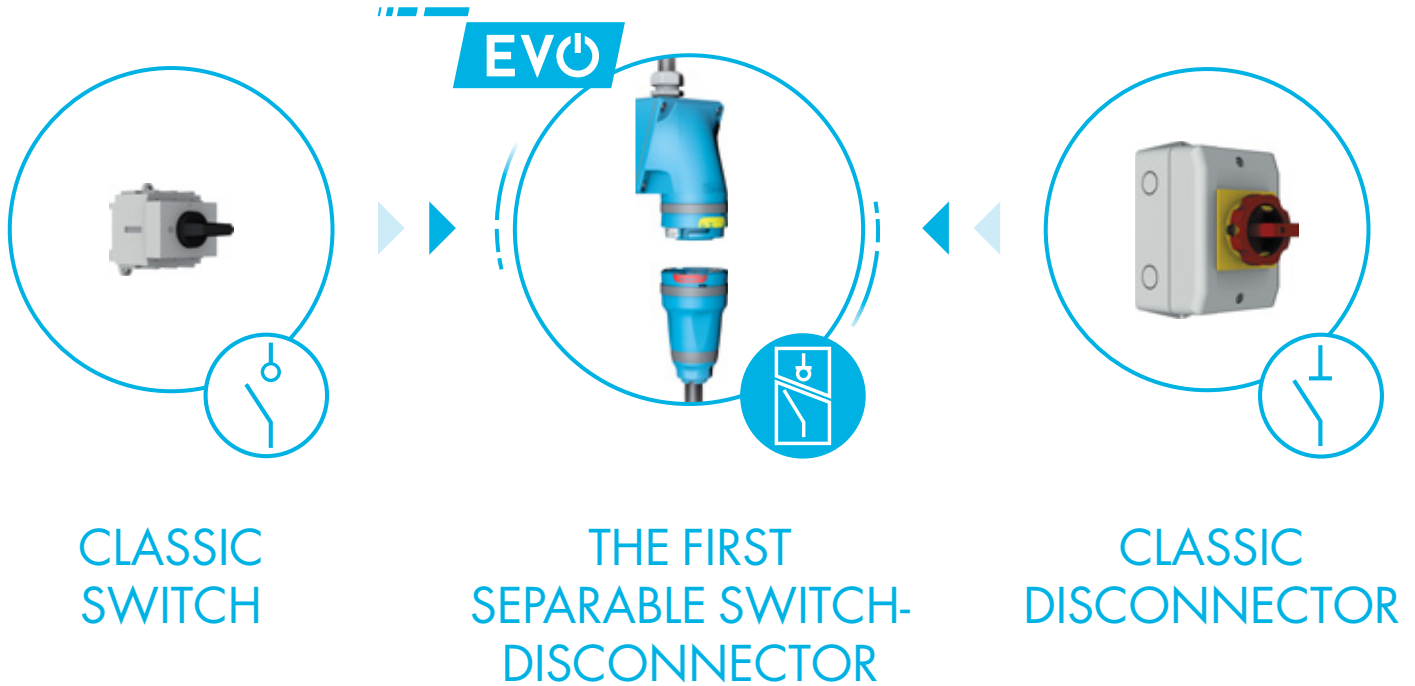
# EVO TWIST & SWITCH

A SEPARABLE  
SWITCH-  
DISCONNECTOR





**ITS**  
PARTICULARITY



### TWIST & SWITCH

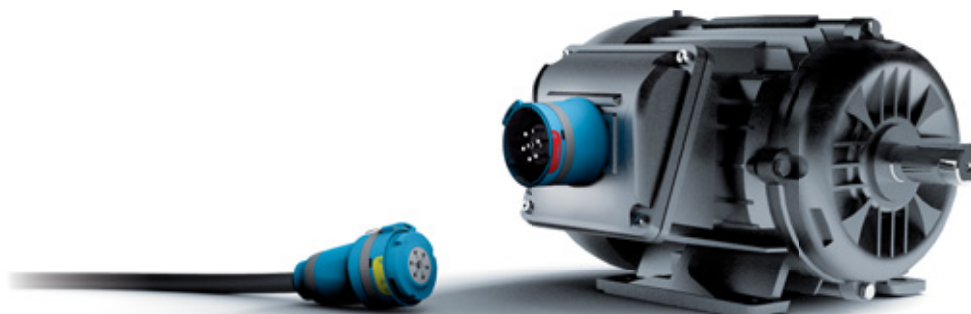
POSITIVE AND CLEARLY VISIBLE BREAKING

AUTOMATIC IP66/IP67 WATERPROOFING IN THE ON AND OFF POSITIONS

SLEEK DESIGN

REDUCES SPACE REQUIREMENTS

REDUCES INSTALLATION COSTS AND DOWNTIMES

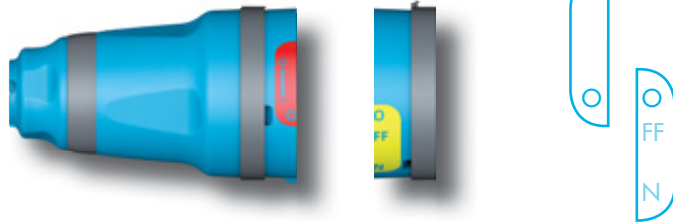




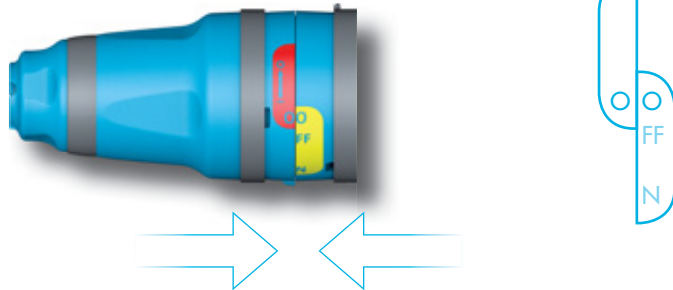
## LOAD BREAK ROTARY SWITCH

- Simple operation
- Waterproof in ON and OFF positions

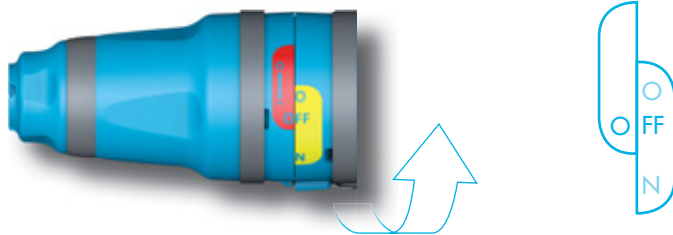
Separated position



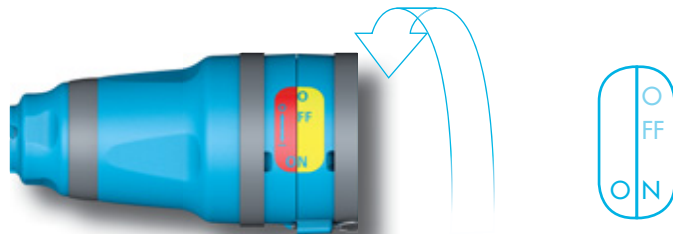
Position 00



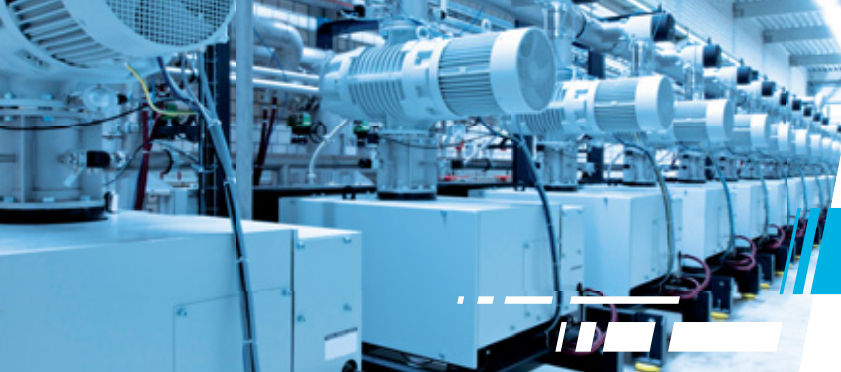
Position OFF



Position ON



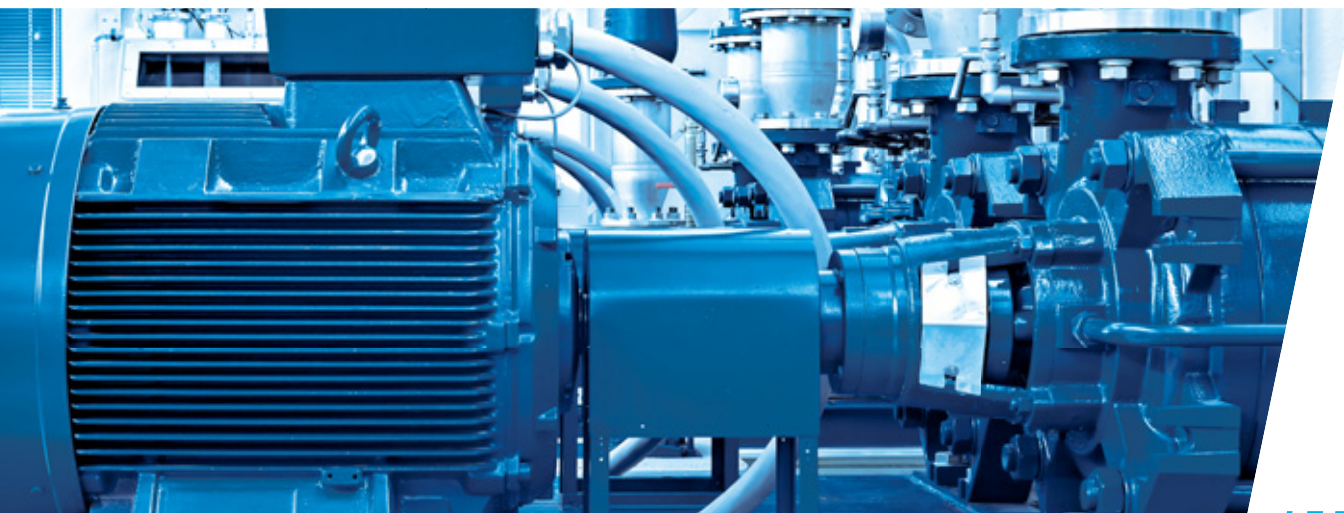


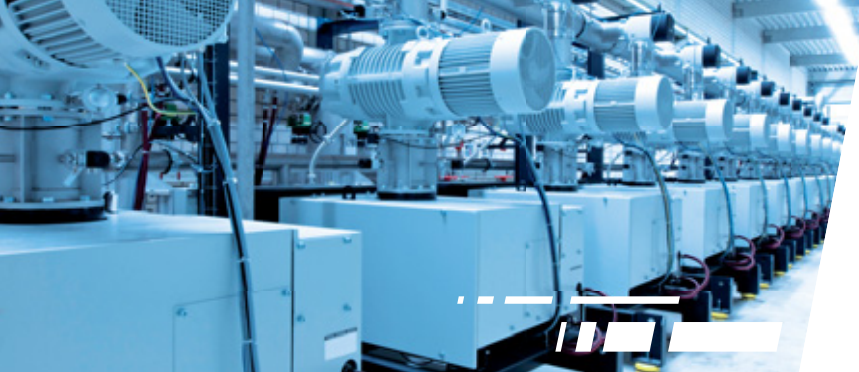


# ITS CONFIGURATIONS

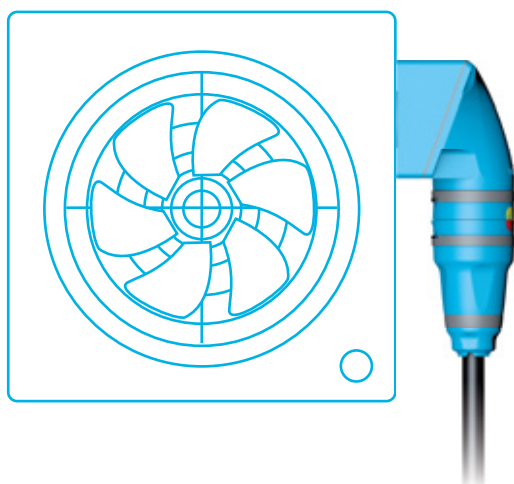
# EVO

## POSSIBLE INSTALLATIONS

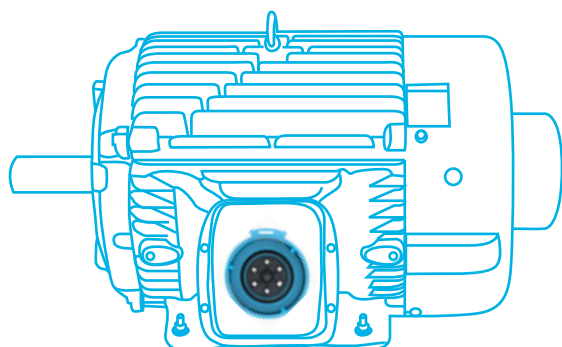
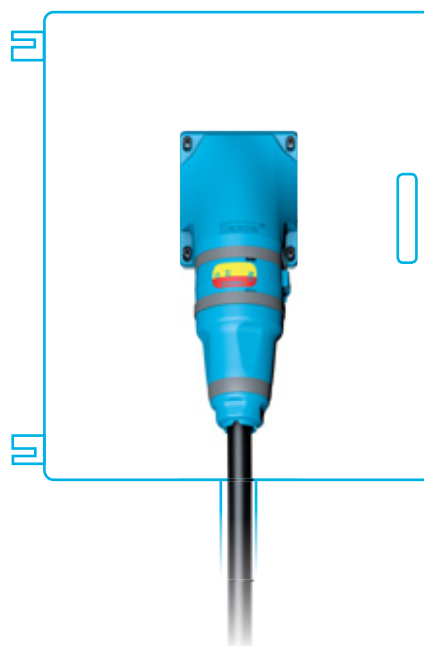


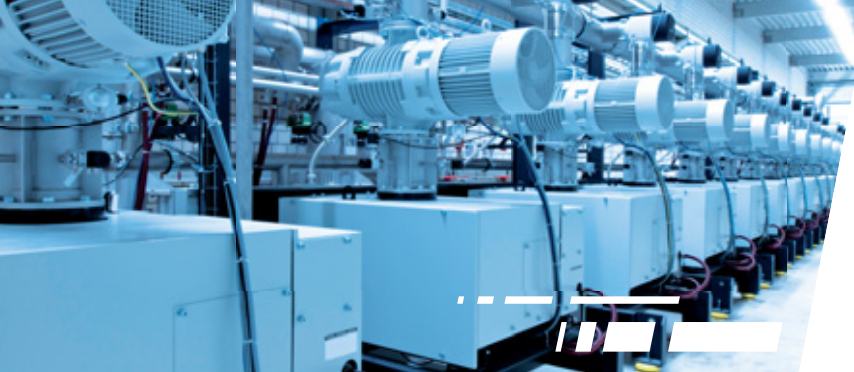


# ITS APPLICATIONS



EVO40 is particularly appropriate for all industrial applications such as motor power supply.





# ITS ADVANTAGES

## KEY FEATURES

## THE BENEFITS

Separable switch-disconnector	Simplification and economy
Positive and visible breaking	100% ensured safety
Disconnection speed independent of operator use	Reliability Ease of use
Automatic IP66/IP67 sealing in ON and OFF positions and with cap	Suitable for harsh industrial environments
IP4X on source side	User safety and compliance with standards
Smooth crevice free design, no visible fixing screws	Easy to clean
Up to 6 poles + earth	Ability to connect power and/or control signals
Surface mounting dimension limited to 120 mm	Compact design (50° or 90° version wall box)







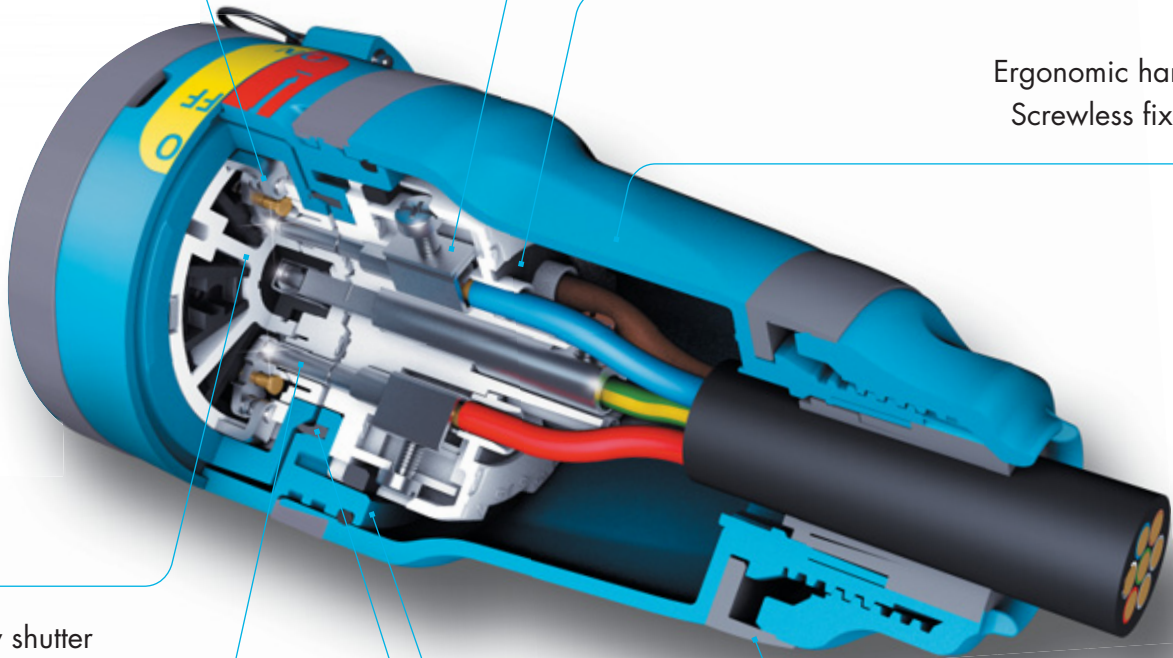
# ITS TECHNOLOGY

Double break per pole  
AC-22A/AC-23A (18,5 kW)  
AC-3 (11 kW)

Cage terminals improving conductivity  
and vibration resistance

Colour Coded terminals  
1, 2, 3, 4/N, 5, 6

Ergonomic handle  
Screwless fixings



IP4X safety shutter  
Protection from live  
parts

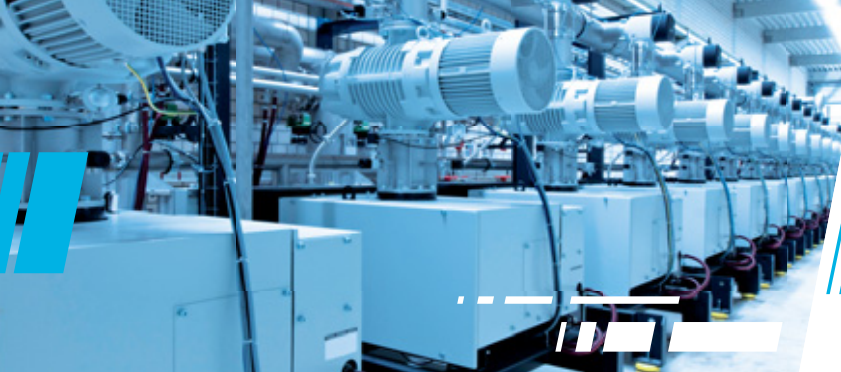
Contacts on silver alloy  
tips (anti-corrosion  
treatment)

Protective cover

Glass reinforced poly enclosure

IP66/IP67 automatic waterproofing  
in ON and OFF positions





# TECHNICAL CHARACTERISTICS

Mechanical endurance	> 10 000 cycles
Electrical endurance	1 500 cycles
$U_i$ : Rated insulation voltage	1 000 V AC
$U_{max}$ : Operational voltage	690 V
$I_{the}$ : Conventional enclosed thermal current	40 A
$U_{imp}$ : Rated impulse withstand voltage	8 kV
$I_{cc}$ : Rated short-circuit breaking current capacity with gG fuses and aM fuse	100 kA
$I_{cm}$ : Rated short-circuit making current capacity	1 kA
Cable cross-section Cu	2,5 - 10 mm <sup>2</sup> flexible
	2,5 - 16 mm <sup>2</sup> stranded
Degree of protection (IEC 60529)	IP66/IP67
Shock resistance (IEC 62262)	IK09
Ambient air temperature	- 25 °C/+ 60 °C

## SWITCHING CAPACITY

kW/V	230 V	400 V	690 V
AC-21A/AC-22A	40 A	40 A	40 A
AC-23A	11 kW	18,5 kW	18,5 kW
AC-3	7,5 kW	11 kW	11 kW

## COMPLIANT WITH IEC STANDARDS

- IEC/EN 60947-1/-3/-4/-5 :

Low-voltage switchgear and control gear:  
Switches, disconnectors, switch-disconnectors  
and fuse-combination units.

- Facilitates compliance:

- of electrical machinery to the European Machinery Directive 2006/42/CE, to EN 12100 and EN 60204-1 standards,
- of electrical installations to IEC/HD 60364 and NF C 15-100 standards.



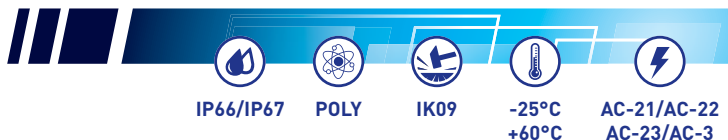
# PART NUMBERS

# 40 A

# 690 V

U MAX I

## SEPARABLE SWITCH-DISCONNECTOR



Voltage	Poles	Supply	Load	Straight sleeve	70° inclined sleeve	Handle	90° wall box <sup>(1)</sup>
200-250 V AC	2P+E	8144032	8148032	51LM0	51LM7	51LP0D21 <sup>(2)</sup>	51LC9000
	3P+E	8144033	8148033				
	4P+E	8144034	8148034				
	6P+E	8144036	8148036				
380-480 V AC	2P+E	8144012	8148012	51LM0	51LM7	51LP0D21 <sup>(2)</sup>	51LC9000
	3P+E	8144013	8148013				
	4P+E	8144014	8148014				
	6P+E	8144016	8148016				
500-690 V AC	2P+E	8144052	8148052	51LM0	51LM7	51LP0D21 <sup>(2)</sup>	51LC9000
	3P+E	8144053	8148053				
	4P+E	8144054	8148054				
	6P+E	8144056	8148056				
Umax 690 V AC	2P+E	8144122	8148122	51LM0	51LM7	51LP0D21 <sup>(2)</sup>	51LC9000
	3P+E	8144123	8148123				
	4P+E	8144124	8148124				
	6P+E	8144126	8148126				
Load side cap IP66/IP67 padlockable		Included	814A426G				

(1) Without drilling, top entry. Reversible wall box for 50° angle with bottom entry.  
 (2) Gland size 5-21 mm.

### Additional padlocking keys

814A541

Packaging = 10

