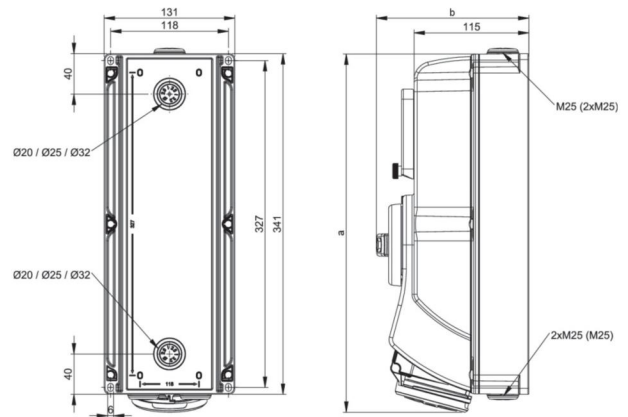


|                        |   |
|------------------------|---|
| article#               | <b>7613-6</b>   |
| article description    | <b>CEE-switched interlocked socket DIN 16A 3p 6h IP44/IP54</b>  |
| description long       | CEE-switched interlocked socket DIN 16A 3p 6h IP44/IP54<br>housing material: PC/ABS<br>rated current: 16A<br>number of poles: 3 (2P+PE)<br>clock-position: 6h<br>rated voltage/frequency: 200-250V~ / 50+60Hz<br>contacts: brass nickel plated<br>connection technology: screw terminals<br>wall mounting, mechanical interlock, hinged window (5 modules), DIN-rail<br>switch: ON/OFF PCE-Merz ML0; EN 60947-3; AC22A, 10kA<br>cable entry: top, bottom or rear (incl. threaded blind cap)<br>IP protection class: IP44/IP54 |
| GTIN (EAN)             | 9003399166532   |
| country of origin      | AT  |
| customs number         | 85366990  |
| net weight             | 1.454 kg  |
| packaging quantity     | 1   |
| minimum order quantity | 1   |

|                                  |                       |
|----------------------------------|-----------------------|
| ETIM 9.0                         | EC001324              |
| IEC-amperage                     | 16 A                  |
| Number of poles                  | 3                     |
| Voltage according to EN 60309-2  | 230 V (50+60 Hz) blue |
| Clock hour position              | 6 h                   |
| Identification colour            | Blue                  |
| Degree of protection (IP)        | IP54                  |
| Switch                           | Mechanical locking    |
| Empty locations on mounting rail | True                  |
| Material housing                 | Plastic               |
| Model                            | Base unit and cover   |
| Protection                       | None                  |
| Contact material                 | CuZn                  |
| Surface treatment contacts       | Nickel-plated         |

|                        |                         |
|------------------------|-------------------------|
| a                      | 359 mm                  |
| b                      | 153 mm                  |
| wire flexible          | 1,5-2,5 mm <sup>2</sup> |
| wire solid             | 1,5-4 mm <sup>2</sup>   |
| contact screws         | 120 Ncm                 |
| housing screws         | 110 Ncm                 |
| ambient temperature    | -25 – 40 °C             |
| temperature resistance | -25 – 80 °C             |



<https://www.pcelectric.at/shop/en/?func=detail&artnr=7613-6>