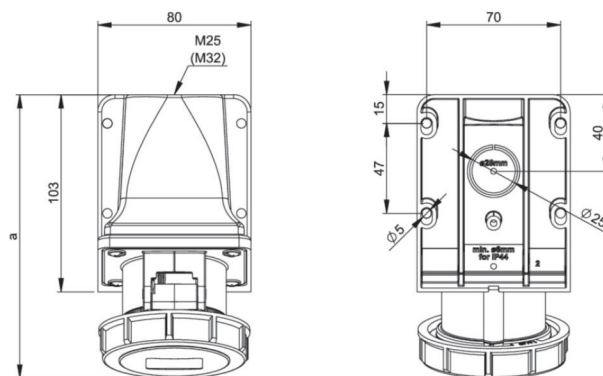


|                        |  |
|------------------------|--|
| article#               | <b>1252-6</b>  |
| article description    | <b>CEE-wall mounted socket 32A 5p 6h IP67</b>  |
| description long       | CEE-wall mounted socket 32A 5p 6h IP67<br>housing material: PA6<br>rated current: 32A<br>number of poles: 5 (3P+N+PE)<br>clock-position: 6h<br>rated voltage/frequency: 200/346V~ - 240/415V~/50+60Hz<br>contacts: brass<br>connection technology: screw terminals<br>cable entry: top and rear<br>incl. threaded cable gland<br>IP protection class: IP67 |
| GTIN (EAN)             | 9003399144028  |
| country of origin      | AT   |
| customs number         | 85366990   |
| net weight             | 0.351 kg   |
| packaging quantity     | 5  |
| minimum order quantity | 5  |

|                                 |                      |
|---------------------------------|----------------------|
| ETIM 9.0                        | EC001321             |
| Model                           | Surface mounted      |
| IEC-amperage                    | 32 A                 |
| Number of poles                 | 5                    |
| Voltage according to EN 60309-2 | 400 V (50+60 Hz) red |
| Clock hour position             | 6 h                  |
| Identification colour           | Red                  |
| Degree of protection (IP)       | IP67                 |
| Connection system               | Screwed terminal     |
| Cable entry                     | Gland nut            |
| Material                        | Plastic              |
| Contact material                | CuZn                 |
| Surface treatment contacts      | Untreated            |
| Type of fastening               | External mounting    |

|                        |                        |
|------------------------|------------------------|
| a                      | 163 mm                 |
| b                      | 112 mm                 |
| wire flexible          | 2,5-6 mm <sup>2</sup>  |
| wire solid             | 2,5-10 mm <sup>2</sup> |
| contact screws         | 110 Ncm                |
| connecting screws      | 110 Ncm                |
| dismantling length     | 50 mm                  |
| stripping length       | 12-14 mm               |
| ambient temperature    | -25 – 40 °C            |
| temperature resistance | -25 – 80 °C            |



<https://www.pcelectric.at/shop/en/?func=detail&artnr=1252-6>