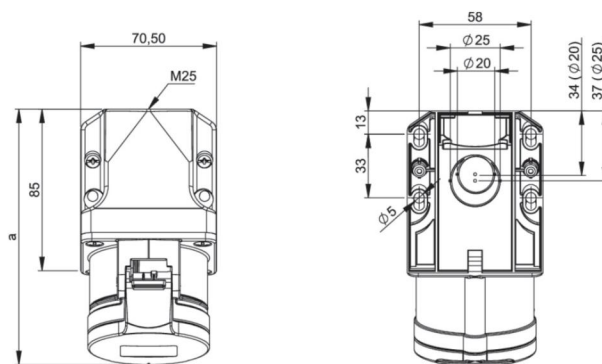


|                        |   |
|------------------------|---|
| article#               | <b>117-4v</b>   |
| article description    | <b>CEE-wall mounted socket 16A 7p 4h IP44/IP54</b>  |
| description long       | CEE-wall mounted socket 16A 7p 4h IP44/IP54<br>housing material: PA6<br>rated current: 16A<br>number of poles: 7 (6P+PE)<br>clock-position: 4h<br>rated voltage/frequency: 110-130V~ / 50+60Hz<br>contacts: brass nickel plated<br>connection technology: screw terminals<br>IP protection class: IP44/IP54 |
| GTIN (EAN)             | 9003399540707   |
| country of origin      | AT  |
| customs number         | 85366990  |
| net weight             | 0.261 kg  |
| packaging quantity     | 10  |
| minimum order quantity | 10  |

|                                 |                         |
|---------------------------------|-------------------------|
| ETIM 9.0                        | EC001321                |
| IEC-amperage                    | 16 A                    |
| Number of poles                 | 7                       |
| Voltage according to EN 60309-2 | 110 V (50+60 Hz) yellow |
| Clock hour position             | 4 h                     |
| Identification colour           | Yellow                  |
| Degree of protection (IP)       | IP54                    |
| Connection system               | Screwed terminal        |
| Cable entry                     | Gland nut               |
| Material                        | Plastic                 |
| Type of fastening               | External mounting       |
| Insulated mounting              | True                    |

|                        |                       |
|------------------------|-----------------------|
| a                      | 133 mm                |
| b                      | 100 mm                |
| wire flexible          | 1-2,5 mm <sup>2</sup> |
| wire solid             | 1-4 mm <sup>2</sup>   |
| contact screws         | 100 Ncm               |
| housing screws         | 110 Ncm               |
| connecting screws      | 110 Ncm               |
| dismantling length     | 50 mm                 |
| stripping length       | 10-12 mm              |
| ambient temperature    | -25 – 40 °C           |
| temperature resistance | -25 – 80 °C           |



<https://www.pceelectric.at/shop/en/?func=detail&artnr=117-4v>