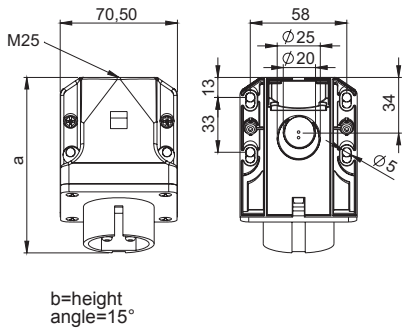


Extra-low voltage – plugs and sockets

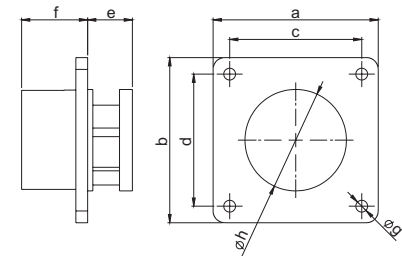


Wall mounted plug IP44

	16 Amp		32 Amp	
	2	3	2	3
Poles	2	3	2	3
a	106	106	106	106
b	77	77	77	77
M	25	25	25	25
Connection type: Screw terminal				
Wire flexible [mm ²]	4-10			
solid [mm ²]	4-10			
Contact screws [Ncm]	110 Ncm			
Weight [g]	165	180	165	180

- with screw terminals
- housing material: PA6
- contacts: nickel-plated
- top and rear entry
- incl. threaded cable grommet

IP44 splashproof

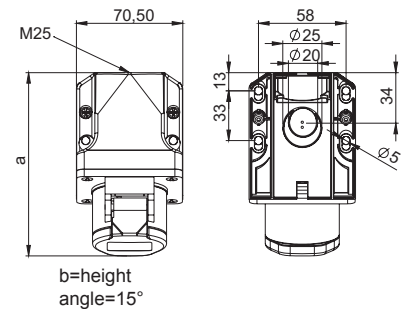


Flanged plug straight IP44

	16 Amp		32 Amp	
	2	3	2	3
Poles	2	3	2	3
Flange				
a x b	70	70	70	70
Fixing center				
c x d	56	56	56	56
e	19	19	19	19
f	28	28	28	28
g	5	5	5	5
h	43	43	43	43
Connection type: Screw terminal				
Wire flexible [mm ²]	4-10			
solid [mm ²]	4-10			
Contact screws [Ncm]	110 Ncm			
Weight [g]	77	93	77	93

- with screw terminals
- housing material: PA6
- contacts: nickel-plated
- According to EN 60309:
For correct use a locking device has to be provided (see page 32)

IP44 splashproof

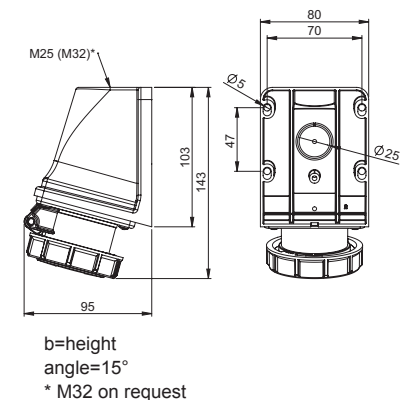


Wall socket IP44

	16 Amp		32 Amp	
	2	3	2	3
Poles	2	3	2	3
a	119	119	119	119
b	85	85	85	85
M	25	25	25	25
Connection type: Screw terminal				
Wire flexible [mm ²]	1-10			
solid [mm ²]	1,5-10			
Contact screws [Ncm]	110 Ncm			
Weight [g]	198	215	198	215

- with screw terminals
- housing material: PA6
- contacts: nickel-plated
- top and rear entry
- incl. threaded cable grommet

IP44 splashproof



Wall socket IP66/67

	16 Amp		32 Amp	
	2	3	2	3
Poles	2	3	2	3
a	143	143	143	143
b	95	95	95	95
M	25	25	25	25
Connection type: Screw terminal				
Wire flexible [mm ²]	1-10			
solid [mm ²]	1,5-10			
Contact screws [Ncm]	110 Ncm			
Weight [g]	231	251	231	251

- with screw terminals
- housing material: PA6
- contacts: nickel-plated
- top and rear entry
- incl. threaded bung

IP66/67 watertight

* Option: M32

