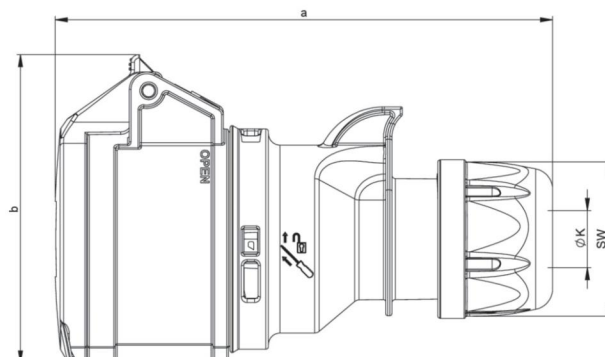


article#	<b>227-4v</b>
article description	<b>CEE-connector 32A 7p 4h IP44/IP54 SHARK</b>
description long	CEE-connector 32A 7p 4h IP44/IP54 SHARK housing material: PA6 rated current: 32A number of poles: 7 (6P+PE) clock-position: 4h rated voltage/frequency: 110-130V~ / 50+60Hz contacts: brass nickel plated connection technology: screw terminals IP protection class: IP44/IP54
country of origin	AT
customs number	85366990
packaging quantity	10
minimum order quantity	10

ETIM 9.0	EC001320
IEC-amperage	32 A
Number of poles	7
Voltage according to EN 60309-2	110 V (50+60 Hz) yellow
Clock hour position	4 h
Identification colour	Yellow
Degree of protection (IP)	IP54
Connection system	Screwed terminal
Angle of plug	Straight
Cable entry	Gland nut
Material	Plastic

a	168 mm
b	99 mm
K (cable Ø)	11,5-22 mm
SW	50 mm
wire flexible	2,5-6 mm <sup>2</sup>
contact screws	110 Ncm
strain relief	600 Ncm
dismantling length	50 mm
stripping length	12-14 mm
ambient temperature	-25 – 40 °C
temperature resistance	-25 – 80 °C



<https://www.pcelectric.at/shop/en/?func=detail&artnr=227-4v>

